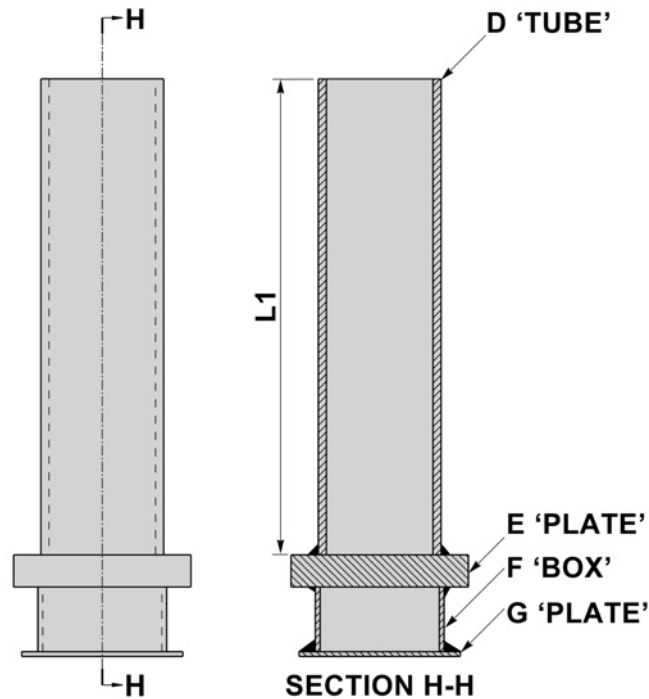


**BOLT TUBE ASSEMBLIES**



D	E	F	G
mm	mm	mm	mm
48.3	80x80x10	70x70x30	80x80x3
48.3	80x80x15	70x70x35	80x80x3
76.1	110x110x20	80x80x40	100x100x3
76.1	110x110x25	90x90x50	110x100x3
76.1	110x110x25	90x90x50	110x110x3
76.1	130x130x25	100x100x60	120x120x3
101.6	160x160x30	120x120x70	140x140x3
101.6	180x180x35	130x130x70	150x150x3
101.6	250x250x35	130x130x90	150x150x3
101.6	250x250x35	140x140x100	160x160x3
101.6	300x300x40	150x150x120	180x180x3



**TYPICAL SIZES SHOWN  
MADE TO SUIT CUSTOMER  
REQUIREMENTS**

**PLATES 'E' SUPPLIED WITH REQUIRED HOLES  
SEE PAGES 39 & 40 FOR FULL RANGE OF PLATES**