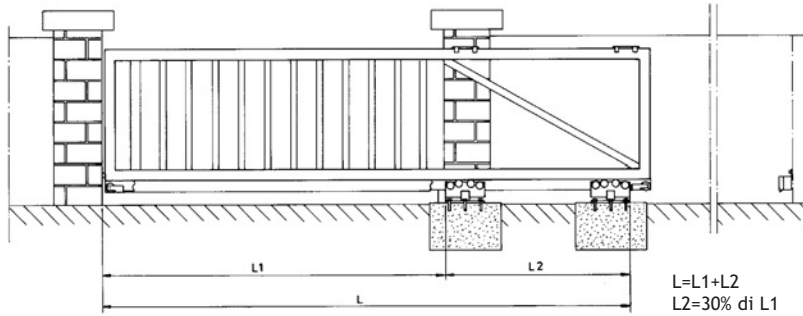
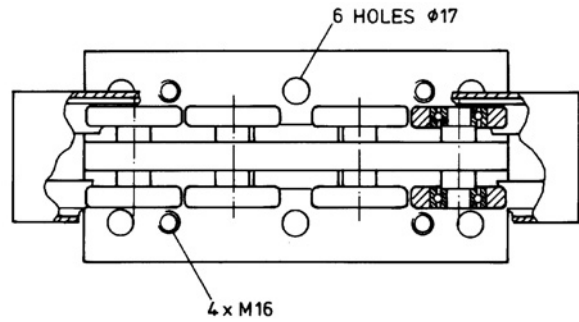
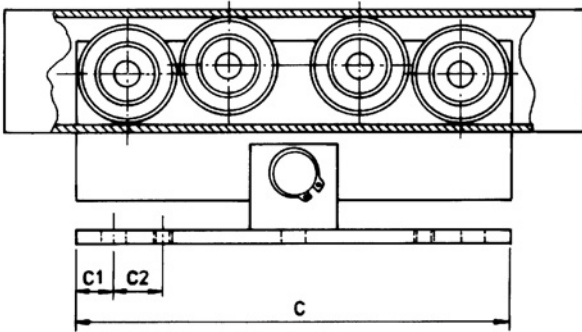
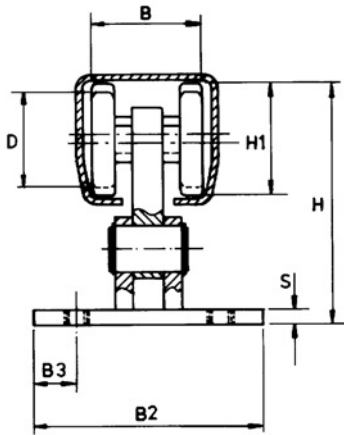
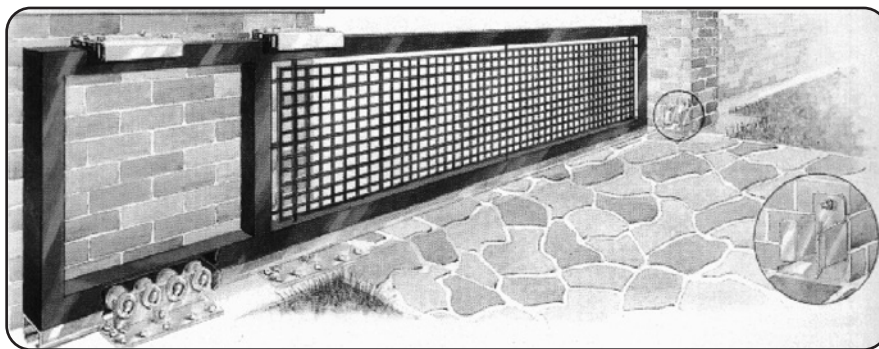


Sliding Cantilever Gate Equipment



Product Code No.	Carriage Code	D	A	H	H1	S	B	B2	B3	C	C1	C2	L1	Capacity	Compatible Track	Weight Kg
		mm											Max Length	Kg		
43/1	CA 4 RPS	48	12.5	140	52.5	10	52.5	140	20	190	20	-	4m	400	GIPI 4 RP/Z	3.7
43/2	CA 4 RS	70	15	162	74	10	72	150	28.5	300	25	35	6m	600	GIPI 4 RG/GZ	25.5
43/3	CA 4 RMS	120	30	246	131	15	99	200	28.5	470	26	34	15m	1200	GIPI 4 RM/MG	44.6






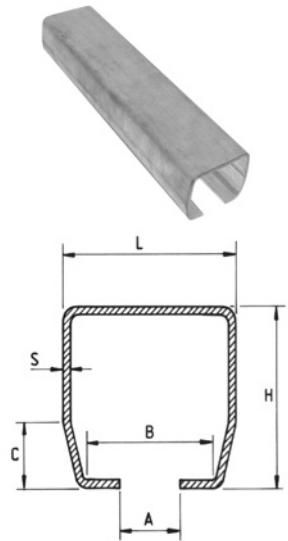
ADDITIONAL INFORMATION

Sliding gate solutions!

tel. 01384 563356 email. sales@brooksforgings.co.uk www.brooksforgings.co.uk

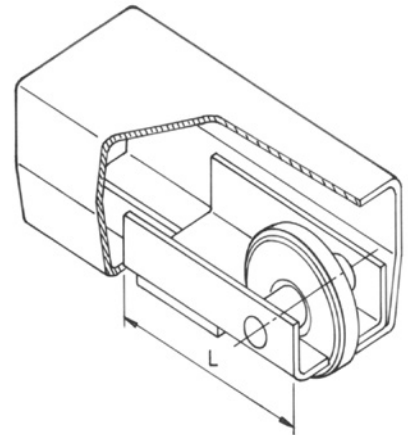
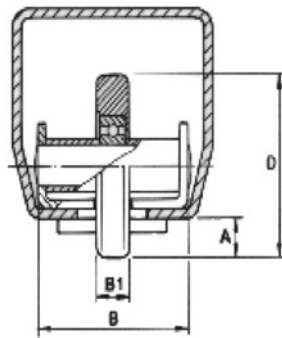
Guide For Sliding Cantilever Gates

Product Code No.	Track Type	Code No.	Finish	Compatible Carriage	L	H	A	B	C	S	Length
43/4		GIPI 4RP	Self Colour	CA4 RPS	70	60	22	52	25	3.5	3 Mtr
		GIPI 4RPZ	Galvanised		70	60	22	52	25	3.5	3 Mtr
43/5		GIPI 4RG	Self Colour	CA4 RS	94	87	33	73	30	5	3 Mtr
		GIPI 4RGZ	Galvanised		94	87	33	73	30	5	3 Mtr
43/6		GIPI 4RM	Self Colour	CA4 RMS	136	142	38	100	55	6	3 Mtr
		GIPI 4RMZ	Galvanised		136	142	38	100	55	6	3 Mtr



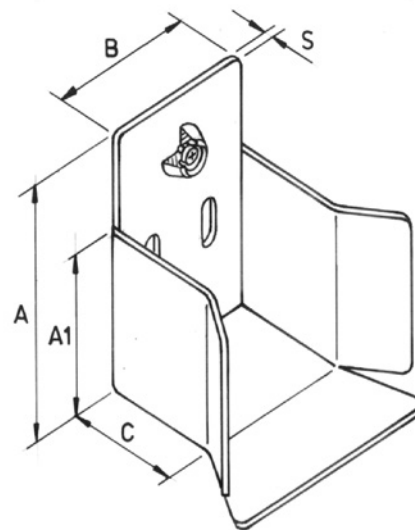
Support Wheel

Product Code No.	Code	B	B1	L	A	D	Compatible Track
	Ref	mm					
43/7	41 B	54.4	15	125	14	68	GIPI 4RP/PZ
43/8	41 P	68	15	125	15	74	GIPI 4RG/GZ
43/9	41 G	105	30	165	14	98	GIPI 4RM/MZ



Meeting Point

Product Code No.	Code	A	A1	B	C	S	Compatible Track
	Ref	mm					
43/10	50 B	110	80	80	75	4	GIPI 4RP/RZ
43/11	50 P	165	105	100	80	4	GIPI 4RG/GZ
43/12	50 G	225	165	155	80	4	GIPI 4RM/MZ



ADDITIONAL INFORMATION

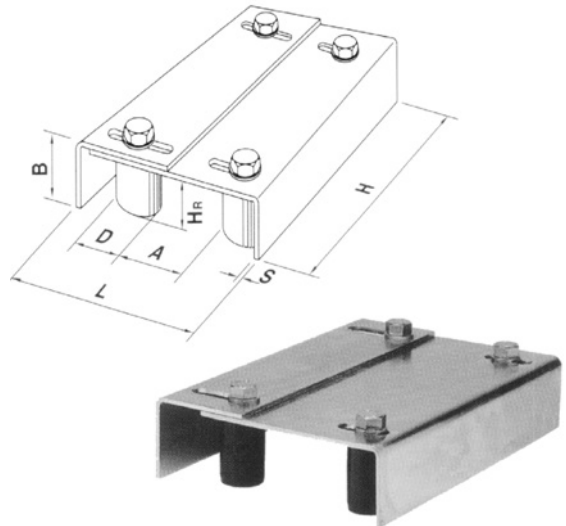
Sliding gate solutions!

tel. 01384 563356 email. sales@brooksforgings.co.uk www.brooksforgings.co.uk

Accessories for Sliding Gates

Bracket With Rollers

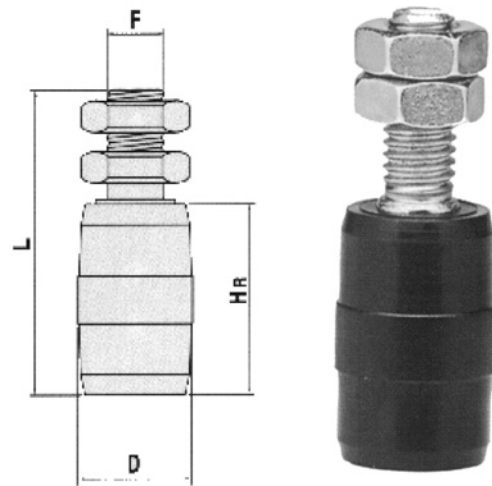
Product Code No.	Article Reference	L	H	S	A min/max	B	Wheel Size	
							D	Hr
							Ø	mm
43/13	4RM	130x170	200	3	35/60	55	30	40
43/14	4RG	195x245	350	3	60/100	67	40	40
43/15	4RMI	130x170	200	3	35/60	55	30	40



Cylindrical Nylon Roller

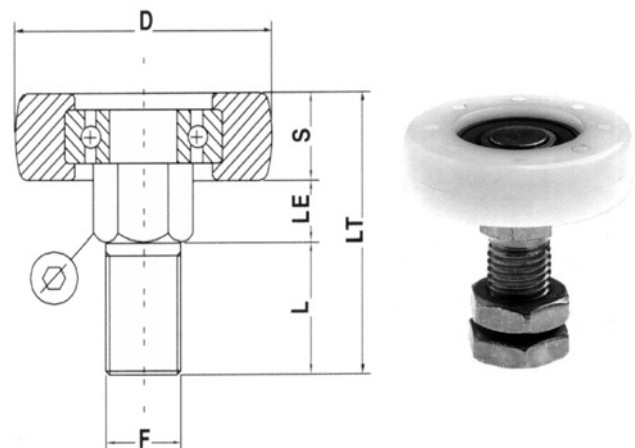
Product Code No.	Article Reference	D	Hr	L	F
		Ø			
43/16	CN 25	25	40	73	M14
43/17	CN 28	28	40	73	M14
43/18	CN 30	30	40	73	M14
43/19	CN 32	32	40	73	M14
*43/20	CN 40	40	60	96	M20
43/21	CN 42	42	60	96	M20

* Stock Line - For use with all grades of cantilever equipment



Plain Nylon Wheels With Bearing & Treated Pin For Special Guides

Product Code No.	Article Reference	D	S	FxL	Ø	LE	LT
		Ø					
43/22	RNF 40	40	15	M14x40	17	8	63
43/23	RNF 48	48	15	M14x40	17	8	63
43/24	RNF 65	65	19	M20x40	22	13	72
43/25	RNF 70	70	19	M20x40	22	13	72
43/26	RNF 80	80	23	M20x40	22	10	73



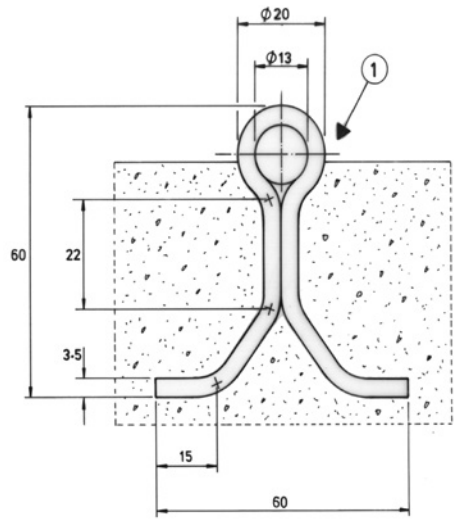
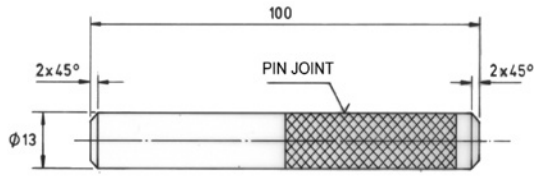
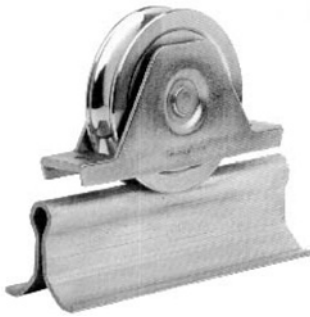
ADDITIONAL INFORMATION

Sliding solutions!

Please note all items except 43/19 are made to order

tel. 01384 563356 email. sales@brooksforgings.co.uk www.brooksforgings.co.uk

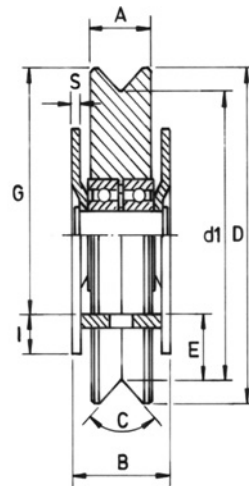
Omega Sliding Gate Track & Wheels



Product Code No.	Article Reference	Finish	Length
43/27	OMEGA G3	Self Colour	3m
43/28	OMEGA Z3	Galvanised	3m
43/29	53	Pin Joint	100mm

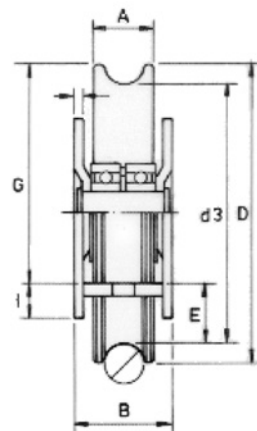
V Groove Wheel With Bearing & Support

Product No.	Article Reference	D	A	B	C	G	I	E	S	dl	Capacity
		∅	mm		V	mm				∅	Kg
43/30	822 PSV	80	22	32	96°	58	12	13.5	3	65	200
43/31	922 PSV	90	22	32	96°	63	12	18.5	3	75	220
43/32	1022 PSV	100	22	32	96°	68	12	23.5	3	85	260
43/33	1224 PSV	120	24	38	96°	88	14	22	3	102	350
43/34	1224 PSVI	120	24	38	96°	88	14	22	3	102	350



O Groove Wheel With Bearing & Support Bracket

Product No.	Article Reference	D	A	B	C	G	I	E	S	dl	Capacity
		∅	mm		O	mm				∅	Kg
43/35	826 PSO	80	26	34	21	58	12	11	3	60	200
43/36	926 PSO	90	26	34	21	63	12	16	3	70	220
43/37	1026 PSO	100	26	34	21	68	12	21	3	80	260
43/38	1227 PSO	120	27	38	21	88	14	21	3	100	350



ADDITIONAL INFORMATION

Sliding gate solutions!

tel. 01384 563356 email. sales@brooksforgings.co.uk www.brooksforgings.co.uk