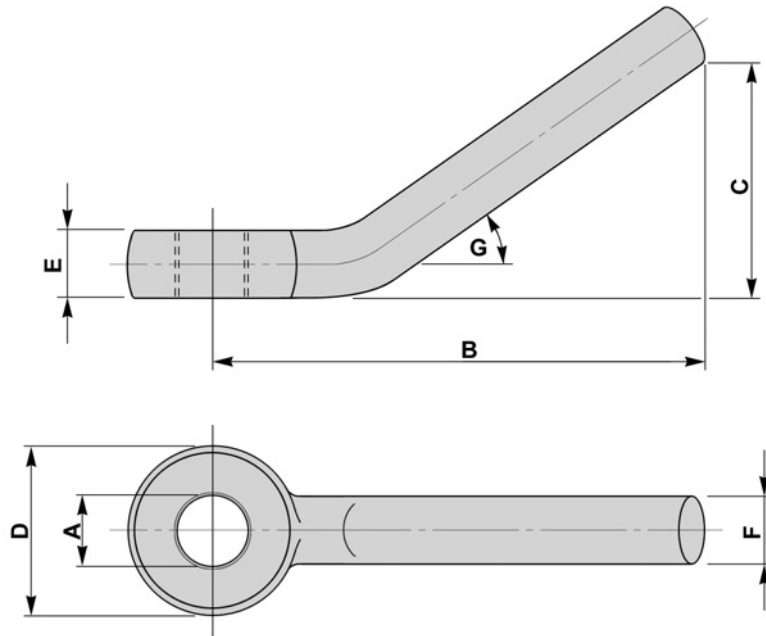


SINGLE LEVER NUT - WRENCH HANDLE

BFF 29



A		B	C	D	E	F	Weight Each
mm	inches	mm	mm	mm	mm	mm	kgs
M6	1/4	80	25	22	10	10	0.08
M8	5/16	80	25	22	10	10	0.08
M10	3/8	100	35	32	13	13	0.15
M12	1/2	110	40	38	16	16	0.28
M16	5/8	120	56	40	20	16	0.33
M20	3/4	130	56	44	25	20	0.53
M22	7/8	145	60	44	25	20	0.54
M24	1	150	60	51	29	24	0.83
M27	---	160	60	60	30	30	1.65
M30	1.1/8	160	60	60	30	30	1.65
M33	1.1/4	160	60	65	38	36	2.50
M36	1.1/2	160	60	65	38	36	2.45

MATERIAL

BS970 080A27 (ENSA)
 STAINLESS STEELS
 ALLOY STEELS
 B7, 4.6, 5.6, 8.8

FINISH

SELF COLOUR
 GALVANISED
 ELECTROPLATED
 CHEMICAL BLACK
 PTFE COATING

**NON STANDARDS
 AVAILABLE TO SUIT
 CUSTOMER REQUIREMENTS**