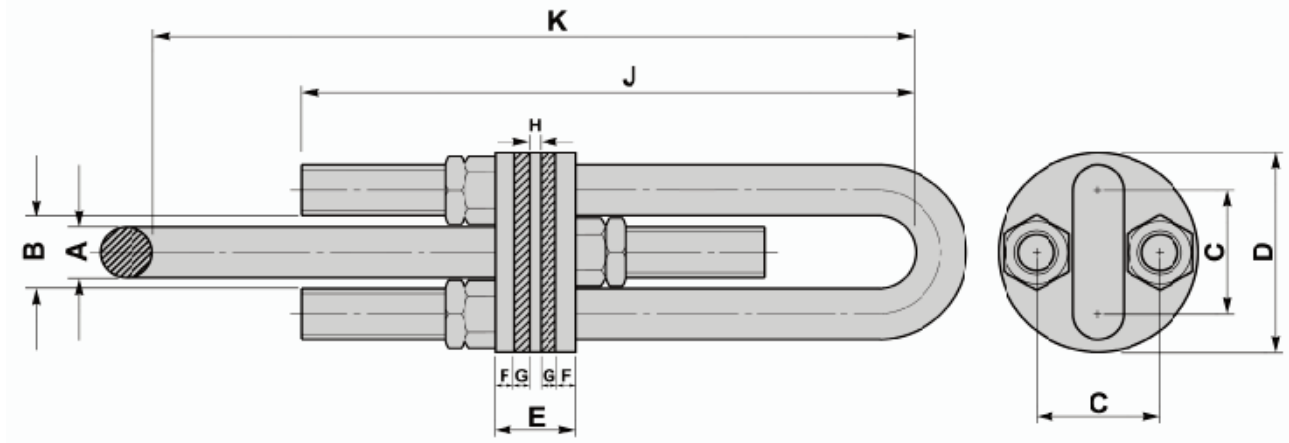


Call Us Today With Your Requirements
+44 (0)1384 563356

BROOKS forgings
 INDUSTRIAL COMPONENTS CATALOGUE

SHOCK ABSORBERS



SWL	A	B	C	D	E	F	G	H	J	Weight	Thread Length	K Full Open	K Full Close
kN	mm	mm	mm	mm	mm	mm	mm	mm	mm	kg	mm	mm	mm
80	24	38	62	120	102	25	20	12	220	11.7	150	375	225
130	30	48	78	150	102	25	20	12	330	25.8	185	545	360
180	35	60	95	180	135	30	30	15	445	32.0	200	680	480
250	42	70	112	200	135	30	30	15	500	46.0	230	770	542
320	45	80	125	220	135	30	30	15	540	56.0	240	825	585
410	52	83	135	275	180	40	40	20	630	85.0	270	950	680
509	56	100	156	295	180	40	40	20	670	107.0	290	1015	725
726	68	112	180	320	230	50	50	30	880	190.0	370	1320	950
1000	76	129	200	350	230	50	50	30	960	273.0	410	1445	1035

**NON STANDARDS MADE
 TO SUIT CUSTOMER
 REQUIREMENTS**



MATERIAL
CARBON STEELS
STAINLESS STEELS
ALLOY STEELS
B7, 4.6, 5.6, 8.8

FINISH
SELF COLOUR
GALVANISED
ELECTROPLATED
SHERARDISED
PTFE COATING

SHOCK ABSORBERS

All content is subject to copyright © 2022