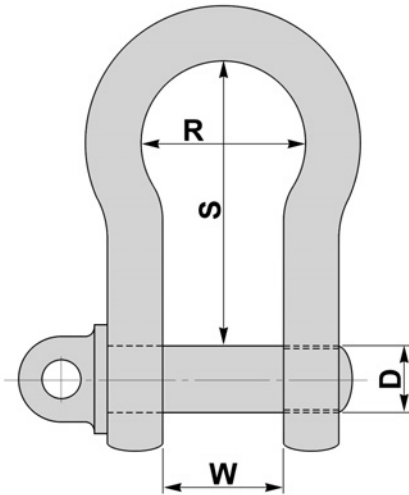
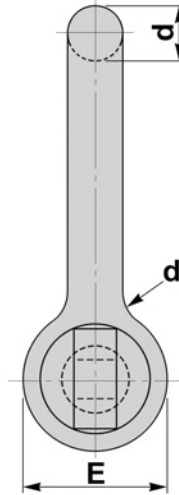


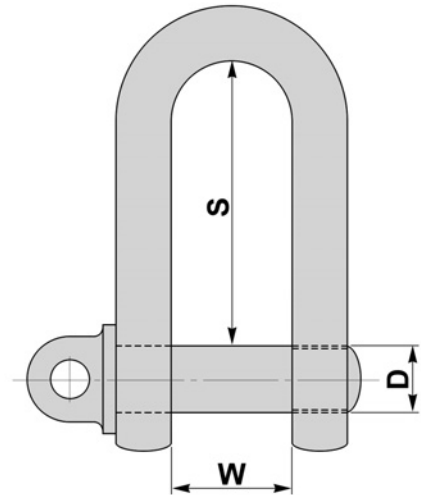
SPECIAL SHACKLES



BOWTYPE
TO BS 3032 : 1958



TO BS 6994 : 1988

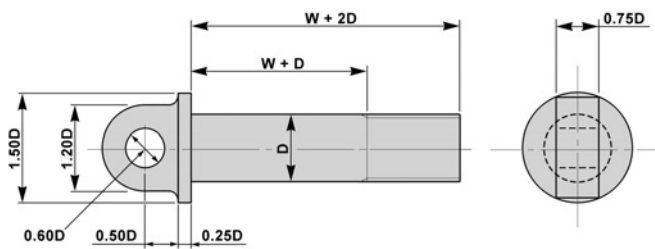


DEE TYPE
TO BS 3288 : 1990

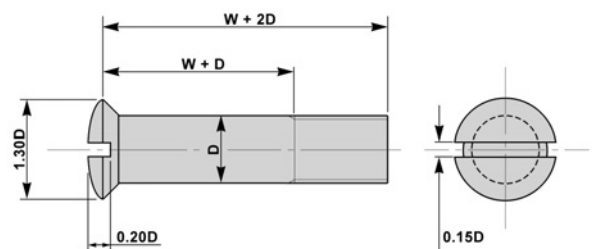
TO U.S. FEDERAL SPECIFICATION RR-C-271B

ANCHOR SHACKLES GRAB SHACKLES MOORING SHACKLES
CHAIN SHACKLES KENTER SHACKLES

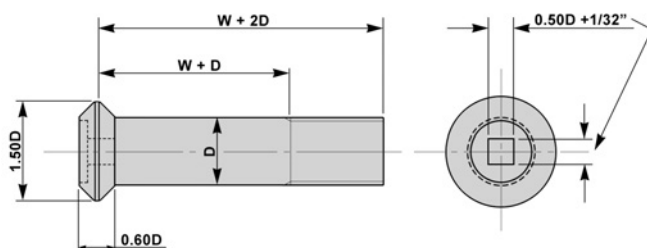
ALTERNATIVE SHACKLE PINS



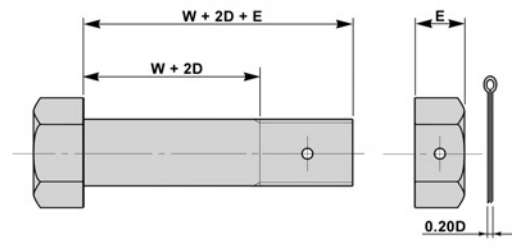
TYPE A



TYPE C



TYPE D



TYPE E