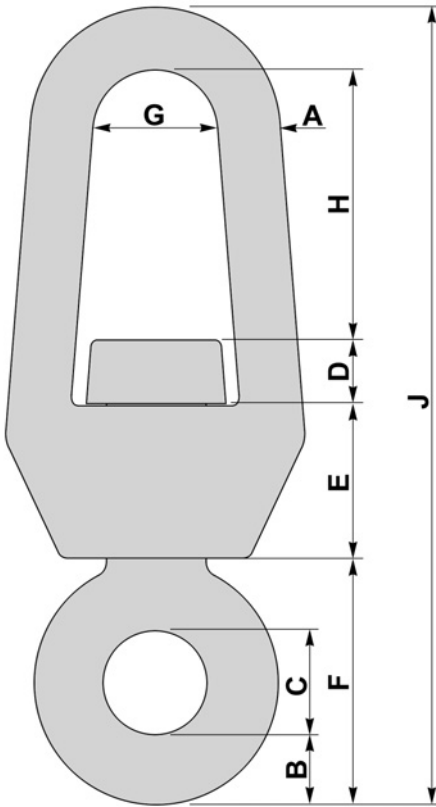


SWIVELS

BFL 17



PLAIN BEARING AND BALL BEARING SWIVELS

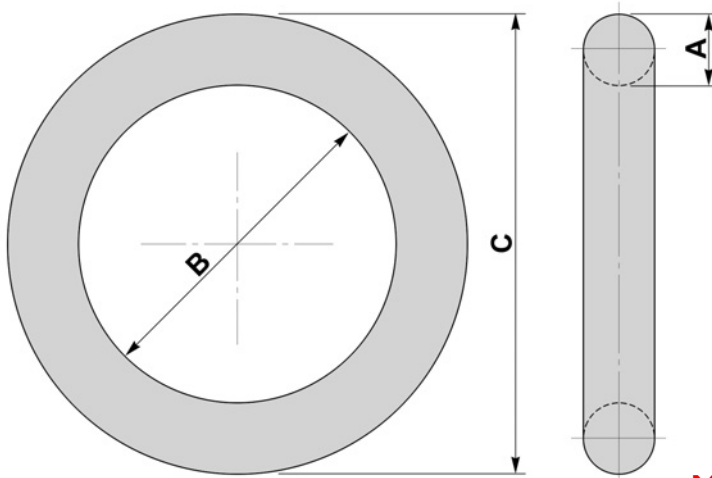
FOR USE WITH CHAIN AND WIRE ROPE

SWL FROM 50 KG TO 30,000 KG

MANUFACTURED TO SUIT CUSTOMER REQUIREMENTS

RINGS - ROLLED & FLASH BUTT WELDED

BFL 18



MATERIAL DIAMETERS
6MM TO 100MM

INTERNAL DIAMETERS
38MM TO 500MM

HOT ROLLED &
FLASH BUTT WELDED

MANUFACTURED TO SUIT CUSTOMER REQUIREMENTS