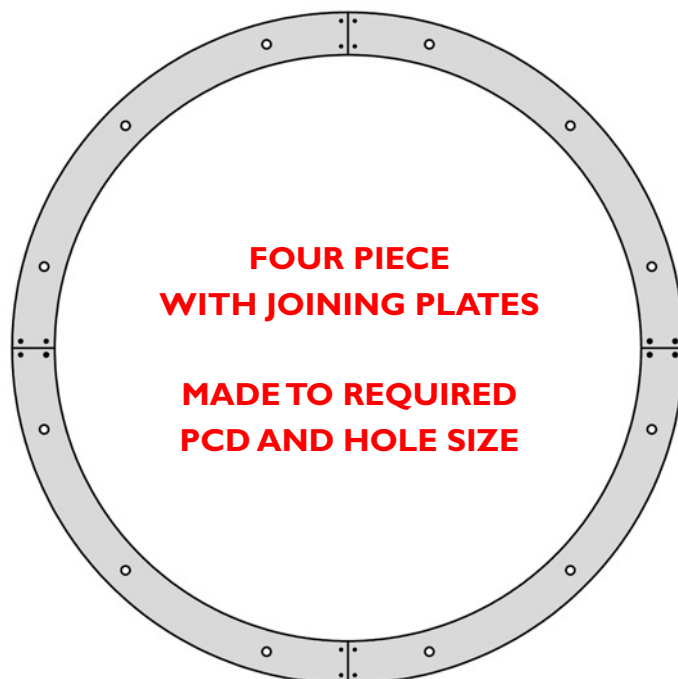
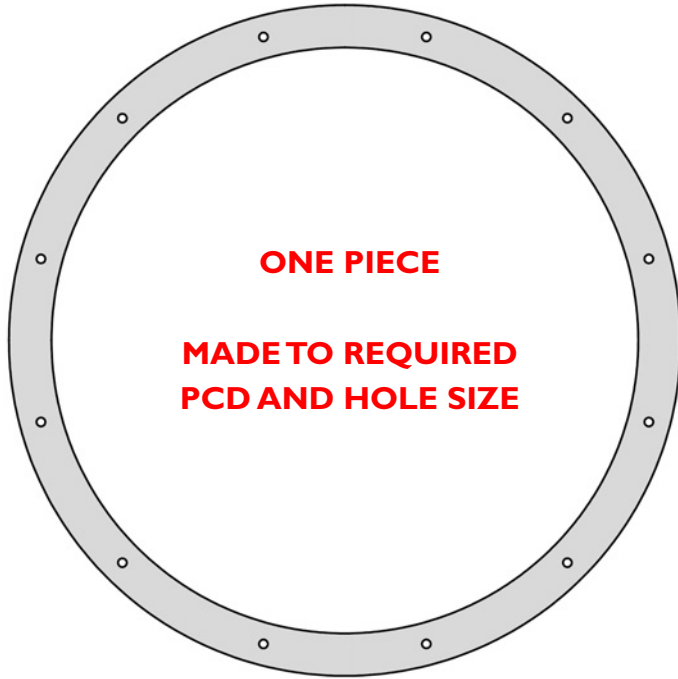


Call Us Today With Your Requirements
+44 (0)1384 563356

RING PLATE PROFILES



Ring plate profiles up to a maximum of 1500MM outer diameter can be supplied in one piece.

Profiles with an outer diameter greater than 1500MM will be supplied in four quarter pieces and joining plates.

Thicknesses, PCD and hole sizes to customer requirements.

