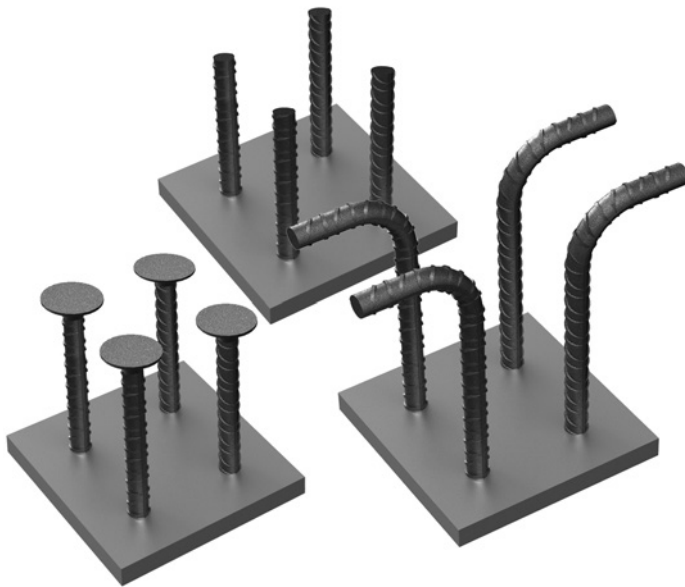




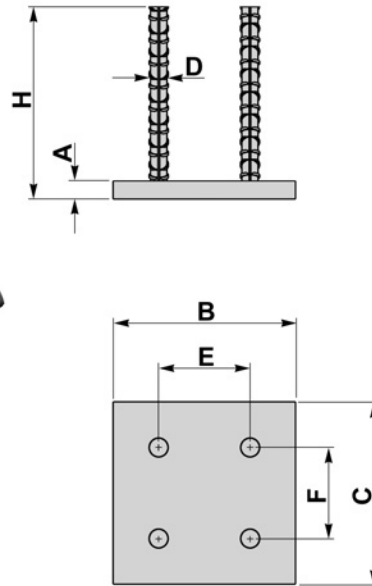
REBAR FASTENING PLATES

Fastening plates are commonly used in construction structure welding, transferring loads to the concrete via rebar studs.

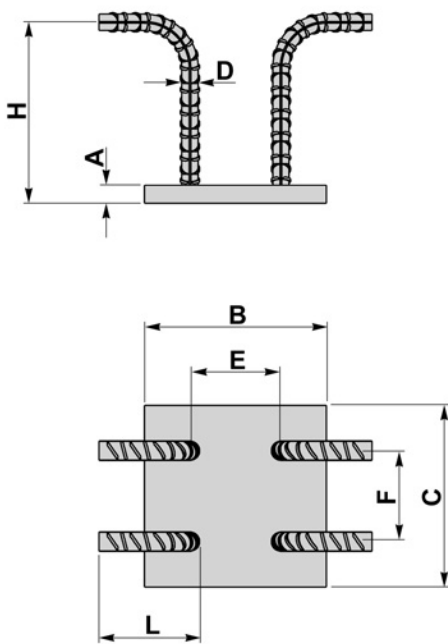
The examples shown can be made to suit customer requirements using on site fabrication processes.



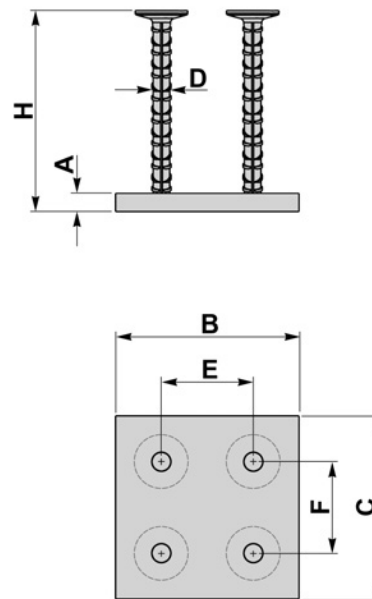
TYPE A



TYPE B

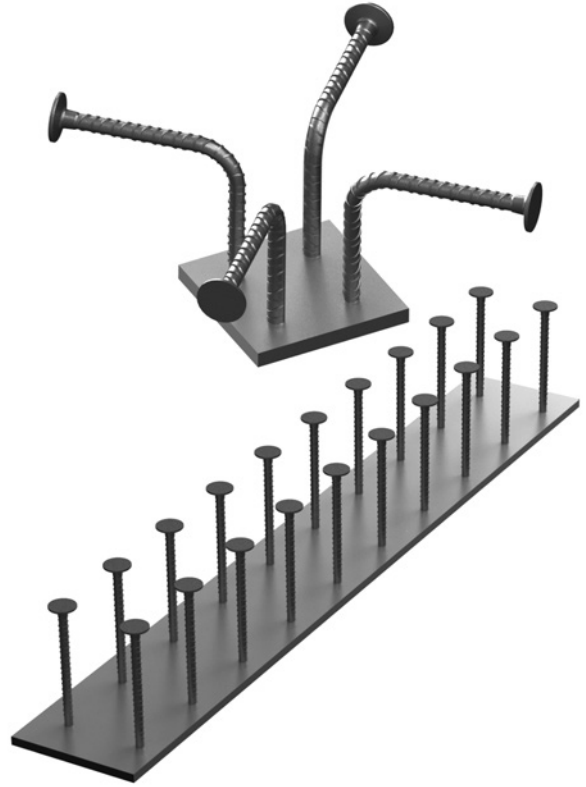
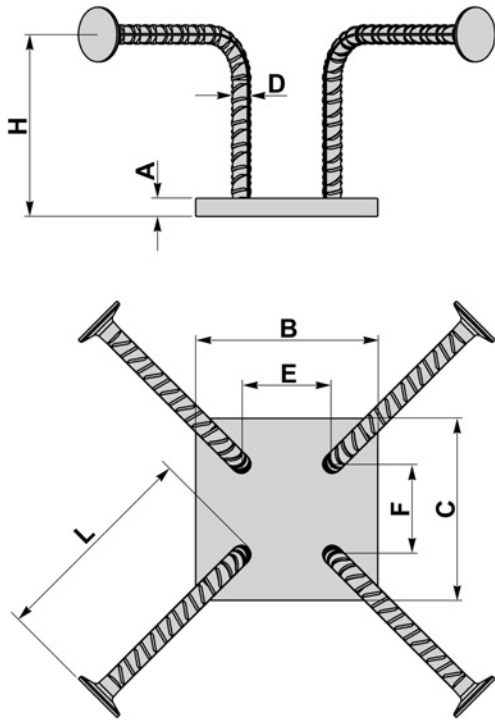


TYPE C

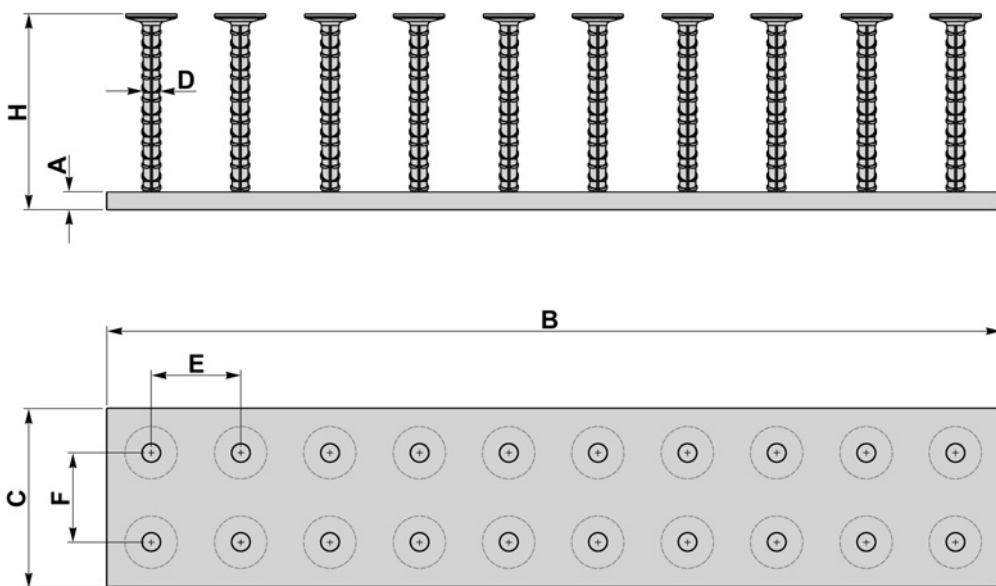


REBAR FASTENING PLATES

TYPE D



TYPE E



PLAIN & BENT REBAR ALSO AVAILABLE ON REQUEST