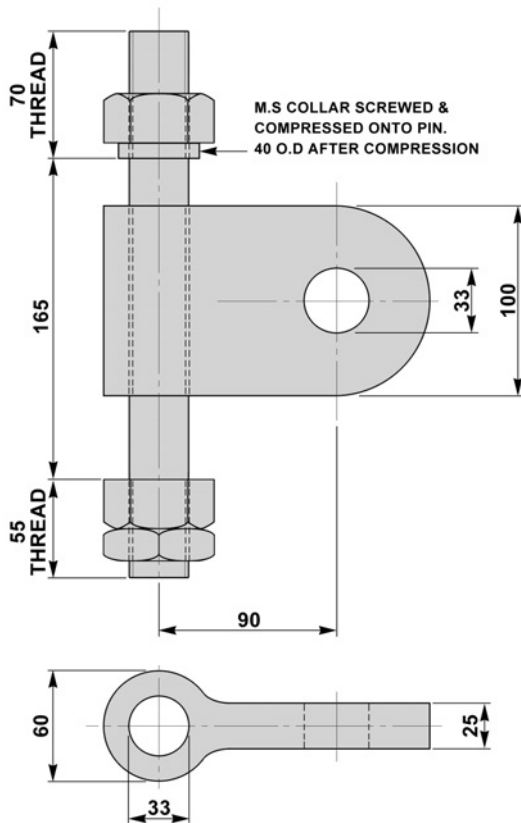


OVERHEAD POWER LINE FITTINGS

BFL 15

- TO BS 3288 : 1990 PART 2

SUSPENSION SWIVELS



**SUSPENSION SWIVELS FOR
CONDUCTOR CROSSARM AND
EARTHWIRE PEAKS 400 kN LOAD**

**ALSO AVAILABLE WITH HEXAGON
BOLTS AND PLAIN PIN**

**SMALLER SWIVEL (125 kN) ALSO
AVAILABLE**

GALVANISED FINISH

**CAN BE SUPPLIED WITH HOLE
DIAMETERS TO SUIT CUSTOMER**

PLEASE SEE PAGE 93 FOR BS 3288 SHACKLES

BS 3288 - BALL ENDED HOOKS

BFL 16

- TO BS 3288 : 1990 PART 2

