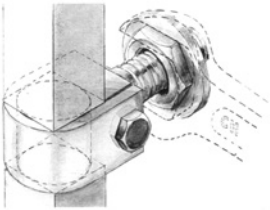
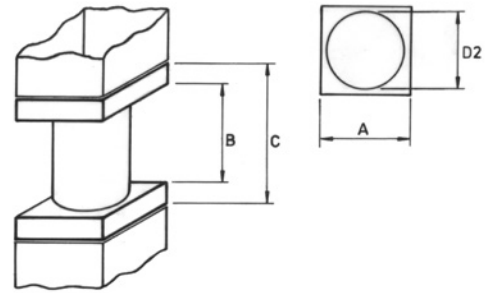
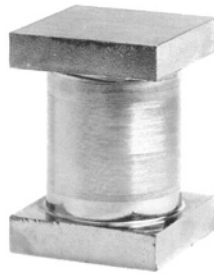


Swing Gate Accessories



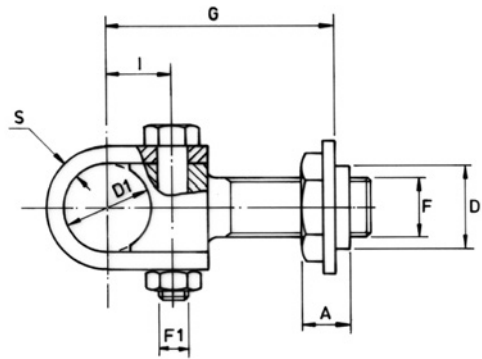
Hinge Pin - Build Into Frame

| Product Code No. | Article Reference | D2 | A | B | C |
|------------------|-------------------|----|----|----|----|
| | | mm | | | |
| 43/39 | T30 | 29 | 35 | 32 | 52 |
| 43/40 | T35 | 34 | 40 | 37 | 57 |



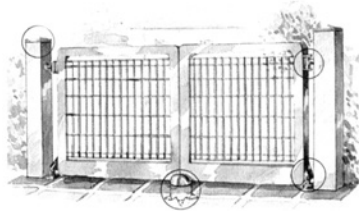
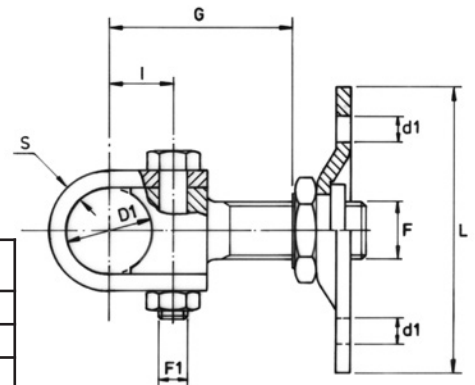
Adjustable Hinge To Be Welded - Use With Hinge Pin

| Product Code No. | Article Reference | D | D1 | F | F1 | G | I | S | A |
|------------------|-------------------|----|----|-----|-----|---------|----|---|----|
| | | ∅ | | uni | | min/max | mm | | |
| 43/41 | CR 30 | 28 | 30 | M20 | M10 | 50/78 | 21 | 6 | 16 |
| 43/42 | CR 35 | 34 | 35 | M24 | M10 | 57/88 | 26 | 6 | 19 |
| 43/43 | CR 40 | 43 | 40 | M30 | M12 | 70/110 | 34 | 6 | 24 |



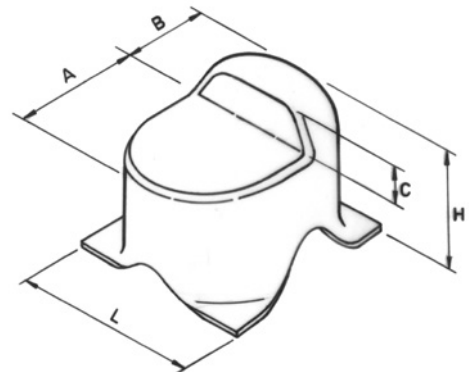
Adjustable Hinge With Plate

| Product Code No. | Article Reference | L | D1 | F | F1 | G | I | S | A | d1 |
|------------------|-------------------|-----|----|-----|-----|---------|----|---|----|----|
| | | □ | ∅ | uni | | min/max | mm | | | |
| 43/44 | CR 30 P | 100 | 30 | M20 | M10 | 39/63 | 21 | 6 | 20 | 9 |
| 43/45 | CR 35 P | 120 | 35 | M24 | M10 | 45/74 | 26 | 6 | 20 | 11 |



Central Gate Stop

| Product Code No. | Article Reference | L | H | A | B | C |
|------------------|-------------------|----|----|----|----|----|
| | | mm | | | | |
| 43/46 | F105 | 92 | 77 | 63 | 35 | 20 |



ADDITIONAL INFORMATION

Sliding gate solutions!

tel. 01384 563356 email. sales@brooksforgings.co.uk www.brooksforgings.co.uk