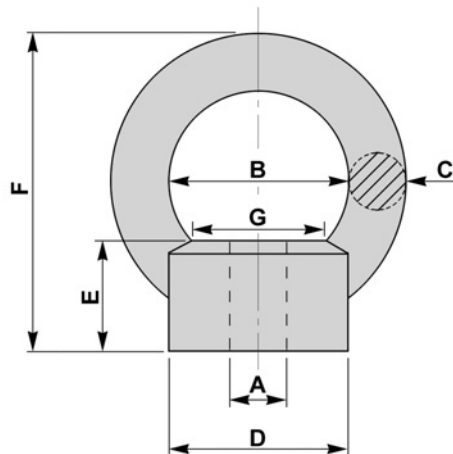


EYE NUTS

BFE 24



A		B	C	D	E	F	G	SWL METRIC	SWL IMPERIAL
METRIC	IMPERIAL	mm	mm	mm	mm	mm	mm	kgs	cwt
M8	---	44	13	19	22	78	22	200	---
M10	3/8	44	13	19	22	78	22	300	5
M12	1/2	44	13	19	22	78	22	500	10
M14	---	44	13	19	22	78	22	500	---
M16	5/8	44	13	19	22	78	22	800	16
M18	---	48	16	29	26	86	26	1000	---
M20	3/4	48	16	29	26	86	26	1200	24
M22	7/8	48	16	29	26	86	26	1600	32
M24	1	54	19	35	38	105	38	2200	44

MATERIAL

CARBON STEELS
STAINLESS STEELS
ALLOY STEELS
B7, 4.6, 5.6, 8.8

FINISH

SELF COLOUR
GALVANISED
ELECTROPLATED
SHERARDISED
PTFE COATING