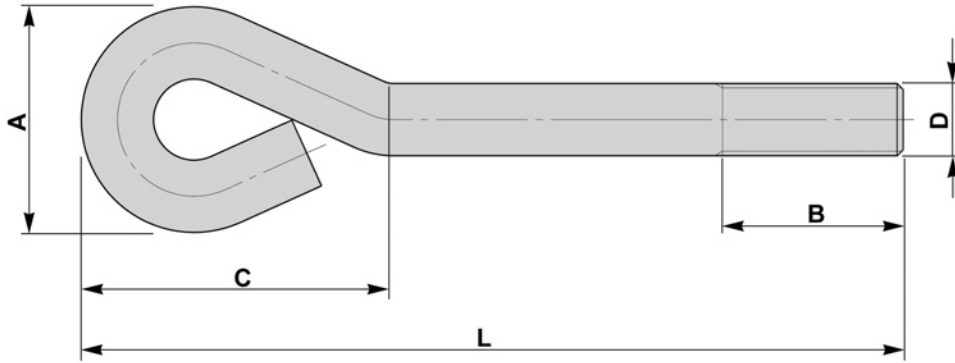


Call Us Today With Your Requirements  
**+44 (0)1384 563356**

**DIN 529 - TYPE A**



<b>D</b>	<b>A</b>	<b>C</b>
mm	mm	mm
M8	24	45
M10	30	55
M12	36	65
M16	48	85
M20	60	105
M24	75	125
M30	95	155
M36	115	190
M42	135	220
M48	155	250
M56	180	290
M64	200	335
M72	240	370

**THREAD AND OVERALL LENGTHS TO  
 SUIT CUSTOMER REQUIREMENTS**

**NON STANDARDS MANUFACTURED  
 ON REQUEST**

**MATERIAL**

**CARBON STEELS**  
**STAINLESS STEELS**  
**ALLOY STEELS**  
**B7, 4.6, 5.6, 8.8**

**FINISH**

**SELF COLOUR**  
**GALVANISED**  
**ELECTROPLATED**  
**SHERARDISED**  
**PTFE COATING**



**DIN 529 - TYPE A**

All content is subject to copyright © 2022