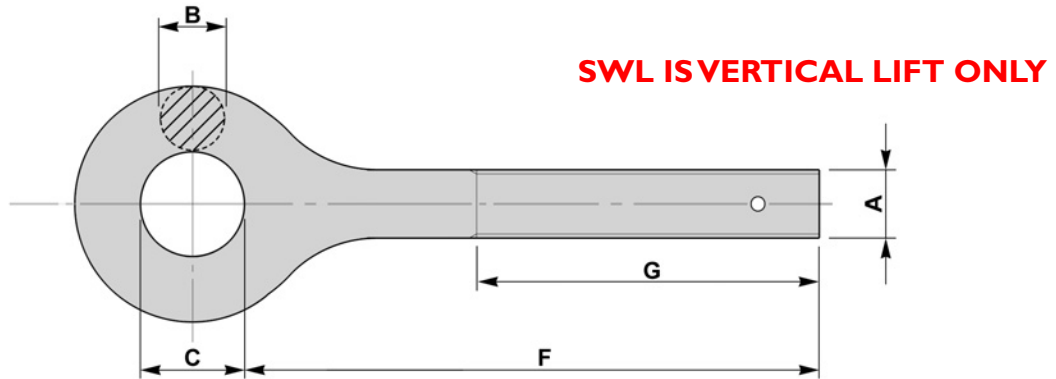


BS 5655 - LIFT SUSPENSION EYEBOLTS - ROUND

BFE 17

- TO BS 5655 : PART 8



A	WIRE ROPE DIA	SWL	PROOF FORCE	MINIMUM BREAKING FORCE	B	C	F	G	WEIGHT EACH
mm	mm	tonnes	kn	kn	mm	mm	mm	mm	kgs
M10	6 - 6.5	0.20	4.12	20.60	10	15	150 300	115 230	0.13 0.22
M12	8	0.31	6.23	31.15	12	15	150 300	115 230	0.18 0.31
M16	10	0.49	9.73	48.65	15	21	300 450 600	230 345 460	0.64 0.88 1.11
M16	11	0.60	11.78	58.90	17	21	300 450 600	230 345 460	0.64 0.88 1.11
M20	13	0.83	16.45	82.25	20	24	450 600 750	345 460 575	1.45 1.82 2.15
M24	16	1.27	25.00	125.00	24	27	450 600 750	345 460 575	2.09 2.65 3.18
M30	19	1.79	35.17	175.85	29	34	450 600 750	345 460 575	3.49 4.32 5.15
M30	22	2.40	47.17	235.85	33	37	450 600 750	345 460 575	3.55 4.38 5.21

MATERIAL

BS970 080A27 (EN5A)

FINISH

**SELF COLOUR
GALVANISED
ELECTROPLATED
SHERARDISED
PTFE COATING**

**NON STANDARDS
AVAILABLE TO SUIT
CUSTOMER REQUIREMENTS**

BS 5655 - LIFT SUSPENSION EYEBOLTS - ROUND

All content is subject to copyright © 2022