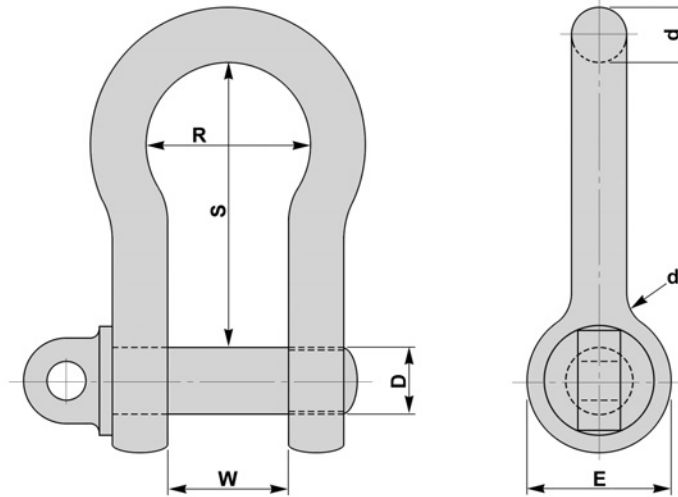


BS 3032 - BOW SHACKLES - SMALL

BFL 13

- TO BS 3032 : 1958 TABLE 4



SWL		d	D	W	R	S	E	Weight Each
Tons	cwt	inches	inches	inches	inches	inches	inches	kgs
---	4	1/4	3/8	1/2	5/8	1	3/4	0.1
---	10	3/8	1/2	5/8	7/8	1. 1/2	1	0.1
1	0	1/2	5/8	7/8	1. 1/8	2	1. 1/4	0.3
1	10	5/8	3/4	1. 1/8	1. 1/2	2. 1/2	1. 1/2	0.7
2	0	3/4	7/8	1. 3/8	1. 3/4	3	1. 3/4	1.0
3	0	7/8	1	1. 1/2	2	3. 1/2	2	1.6
4	0	1	1. 1/8	1. 3/4	2. 3/8	4	2. 1/4	2.4
5	0	1. 1/8	1. 1/4	2	2. 5/8	4. 1/2	2. 1/2	3.3
6	5	1. 1/4	1. 3/8	2. 1/4	3	5	2. 3/4	4.6
7	10	1. 3/8	1. 1/2	2. 3/8	3. 1/4	5. 1/2	3	6.3
9	5	1. 1/2	1. 3/4	2. 5/8	3. 1/2	6	3. 1/2	8.8
10	10	1. 5/8	1. 7/8	2. 7/8	3. 7/8	6. 1/2	3. 3/4	10.1
12	10	1. 3/4	2	3. 1/8	4. 1/8	7	4	13.0
14	5	1. 7/8	2. 1/8	3. 3/8	4. 1/2	7. 1/2	4. 1/4	15.4
16	10	2	2. 1/4	3. 5/8	4. 3/4	8	4. 1/2	18.8
18	10	2. 1/8	2. 3/8	3. 3/4	5	8. 1/2	4. 3/4	22.7
20	0	2. 1/4	2. 1/2	4. 1/8	5. 3/8	9	5	26.8
25	0	2. 1/2	2. 3/4	4. 1/2	6	10	5. 1/2	36.7
30	0	2. 3/4	3. 1/8	5	6. 5/8	11	6. 1/4	49.0
35	0	3	3. 3/8	5. 3/8	7. 1/4	12	6. 3/4	63.6
40	0	3. 1/8	3. 1/2	5. 5/8	7. 1/2	12. 1/2	7	71.7
50	0	3. 1/2	3. 7/8	6. 1/4	8. 3/8	14	7. 3/4	101.2
65	0	4	4. 1/2	7. 1/4	9. 5/8	16	9	150.7
80	0	4. 1/2	5	8. 1/8	10. 3/4	18	10	214.7

MATERIAL

BS 970 150M19 (EN14A)
STAINLESS STEELS
B7

FINISH

SELF COLOUR
GALVANISED
ELECTROPLATED
SHERARDISED
CHEMICAL BLACK

**NON STANDARDS
AVAILABLE TO SUIT
CUSTOMER REQUIREMENTS**