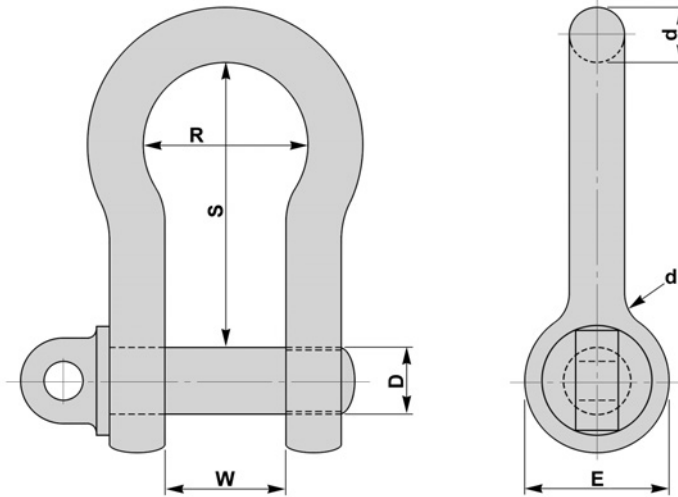


BS 3032 - BOW SHACKLES - LARGE

- TO BS 3032 : 1958 TABLE 3

BFL 12



SWL		d	D	W	R	S	E	Weight Each
Tons	cwt	inches	inches	inches	inches	inches	inches	kgs
---	3	1/4	3/8	1/2	3/4	1. 1/8	3/4	0.1
---	9	3/8	1/2	5/8	1	1. 5/8	1	0.1
---	15	1/2	5/8	7/8	1. 1/4	2. 1/8	1. 1/4	0.3
1	5	5/8	3/4	1. 1/8	1. 5/8	2. 3/4	1. 1/2	0.6
2	0	3/4	7/8	1. 3/8	2	3. 3/8	1. 3/4	1.0
2	15	7/8	1	1. 5/8	2. 1/4	3. 7/8	2	1.6
3	15	1	1. 1/8	1. 3/4	2. 1/2	4. 1/4	2. 1/4	2.4
4	15	1. 1/8	1. 1/4	2	2. 7/8	4. 7/8	2. 1/2	3.4
5	15	1. 1/4	1. 3/8	2. 1/4	3. 1/4	5. 3/8	2. 3/4	4.8
7	5	1. 3/8	1. 1/2	2. 1/2	3. 1/2	6	3	6.2
8	10	1. 1/2	1. 3/4	2. 3/4	3. 7/8	6. 5/8	3. 1/2	9.1
9	10	1. 5/8	1. 7/8	3	4. 3/8	7. 3/8	3. 3/4	10.4
11	10	1. 3/4	2	3. 3/8	4. 3/4	8. 1/8	4	13.1
13	0	1. 7/8	2. 1/8	3. 5/8	5. 1/8	8. 3/4	4. 1/4	15.9
15	0	2	2. 1/4	3. 7/8	5. 1/2	9. 3/8	4. 1/2	19.5
18	10	2. 1/4	2. 1/2	4. 1/8	6	10. 1/8	5	27.7
20	0	2. 3/8	2. 5/8	4. 3/8	6. 3/8	10. 3/4	5. 1/4	32.7
25	0	2. 5/8	2. 7/8	4. 3/4	7	11. 7/8	5. 3/4	44.0
30	0	2. 7/8	3. 1/8	5. 1/4	7. 3/4	13	6. 1/4	57.7
35	0	3. 1/8	3. 3/8	5. 3/4	8. 3/8	14. 1/8	6. 3/4	74.0
40	0	3. 3/8	3. 5/8	6. 1/4	9	15. 1/4	7. 1/4	93.1
50	0	3. 3/4	4	6. 3/4	10	16. 7/8	8	128.0
65	0	4. 1/4	4. 5/8	7. 3/4	11. 1/4	19	9. 1/4	186.1
80	0	4. 5/8	5	8. 1/2	12. 1/8	21	10	239.7

MATERIAL

BS 970 150M19 (EN14A)
STAINLESS STEELS
B7

FINISH

SELF COLOUR
GALVANISED
ELECTROPLATED
SHERARDISED
CHEMICAL BLACK

**NON STANDARDS
AVAILABLE TO SUIT
CUSTOMER REQUIREMENTS**