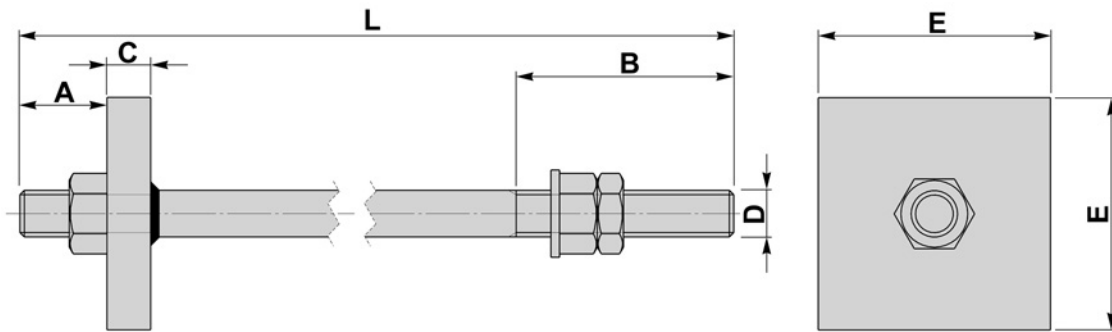


BOLT ASSEMBLIES - WITHOUT TUBE



D	A	C	E	L	B
mm	mm	mm	mm	mm	mm
M16	45	15	80	TO SUIT CUSTOMER REQUIREMENTS	
M20	45	15	100		
M24	55	20	125		
M30	75	30	125		
M36	80	30	125		
M42	95	30	150		
M48	100	30	150		
M56	115	35	175		
M64	140	40	200		

SIZES UP TO M100
EUROPEAN MATERIAL

MATERIAL

CARBON STEELS
STAINLESS STEELS
ALLOY STEELS
B7, 4.6, 5.6, 8.8

FINISH

SELF COLOUR
GALVANISED
ELECTROPLATED
SHERARDISED
PTFE COATING

